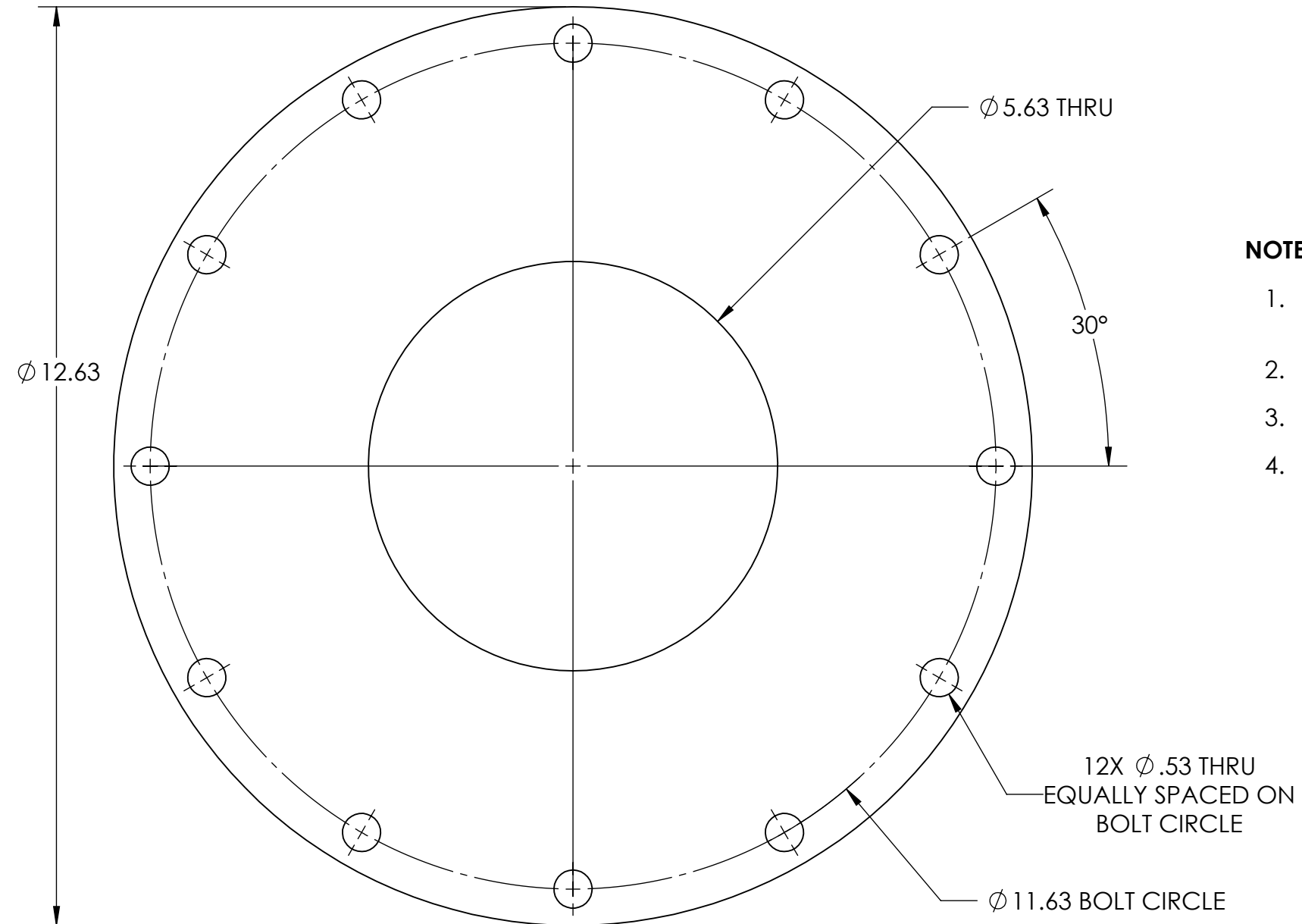


SNF FIXTURING MOUNT BOLT PATTERN



NOTES:

1. THE ATTACHED PART MUST BE NO LARGER THAN Ø 26.500" TO ALLOW FOR CLEARANCE.
2. 240 LBS. MAX WEIGHT.
3. MOUNTING FIXTURE SHOULD MOUNT TO EVERY HOLE ON B.C.
4. THE CENTER HOLE ON THE SPOOL IS USED TO ROUTE CABLES FROM YOUR DEVICE TO THE MEASUREMENT EQUIPMENT. WHEN DESIGNING YOUR MOUNTING FIXTURE, PLEASE ACCOUNT FOR THE CONNECTOR(S) AND CABLE(S) ON YOUR DEVICE AND PROVIDE ADEQUATE CLEARANCE FROM THE BASE AS NOT TO PINCH OR OTHERWISE INTERFERE WITH THE CABLING OR CONNECTIONS.